



2" Round Stress Plate **DEKFAST™ PLT-R-2**



Application

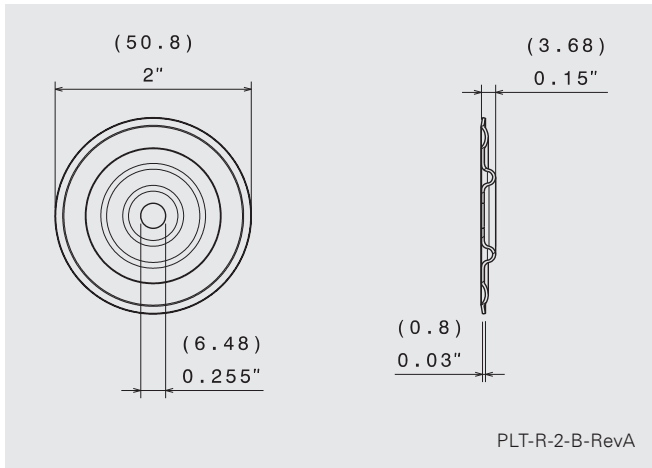
Membrane and cover board attachment to steel and wood roof decks

Features and Benefits

- Flat bottom provides for use on rigid board surfaces
- 22 ga. Galvalume® steel

Product Selection

Material No.	Item	Description	Carton Wt. (lbs.)	Carton Qty.
727658	2" Round Membrane Plate	PLT-R-2-B	34	1,000



Specifications

OD: 2" (51 mm) Round
 Thickness: 0.032" (0.81 mm)
 Finish: AZ55 Galvalume®

Approvals



State of Florida: FL20311

16-0712.08

Installation and Application Considerations

Use in applications approved by the roofing system manufacturer. Use with:

- #12 Dekfast
- #14 Dekfast

Metric values are approximate conversions.

Galvalume® is a registered trademark of BIEC International, Inc.

The details stated are results of tests and/or calculations and therefore are non-binding and do not represent guaranties or warranted characteristics for not specified applications. All calculations therefore have to be checked and approved by the responsible planner ahead of execution. The user is responsible to assure compliance with all applicable laws and regulations.

US
 T 800 234 4533
 www.sfsintecusa.com

Canada
 T 866 847 5400
 www.sfsintec.ca



2" Round Barbed Stress Plate

DEKFAST™ PLT-R-2-4B



Application

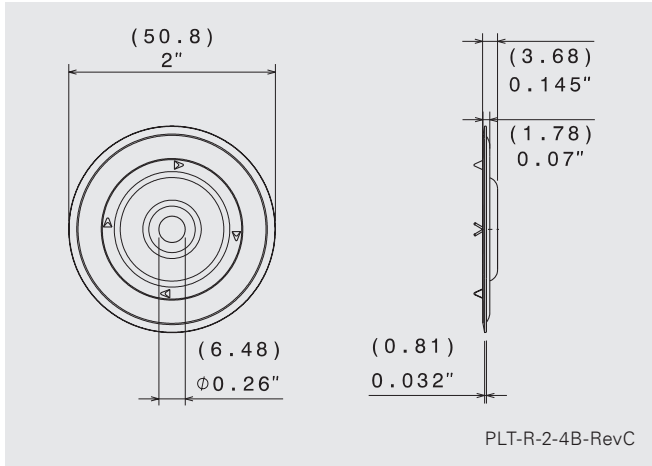
Membrane and cover board attachment to steel and wood roof decks

Features and Benefits

- Engineered barb design provides maximum wind uplift rating
- 22 ga. Galvalume® steel

Product Selection

Material No.	Item	Description	Carton Wt. (lbs.)	Carton Qty.
298312	2" Round Barbed Stress Plate	PLT-R-2-4B-B	41	1,000



Specifications

OD: 2" (51 mm)
 Thickness: 0.032" (0.81 mm)
 Finish: AZ55 Galvalume®

Approvals



State of Florida: FL20311

16-0712.08

Installation and Application Considerations

Use in applications approved by the roofing system manufacturer. Use with:

- #14 Dekfast
- #15 Dekfast
- 1/4" Dekspike
- TPR

Metric values are approximate conversions.

Galvalume® is a registered trademark of BIEC International, Inc.

The details stated are results of tests and/or calculations and therefore are non-binding and do not represent guaranties or warranted characteristics for not specified applications. All calculations therefore have to be checked and approved by the responsible planner ahead of execution. The user is responsible to assure compliance with all applicable laws and regulations.

US
 T 800 234 4533
 www.sfsintecusa.com

Canada
 T 866 847 5400
 www.sfsintec.ca

2" Round Stress Plate Deklite™ PLT-DL-R-2-4B



Application

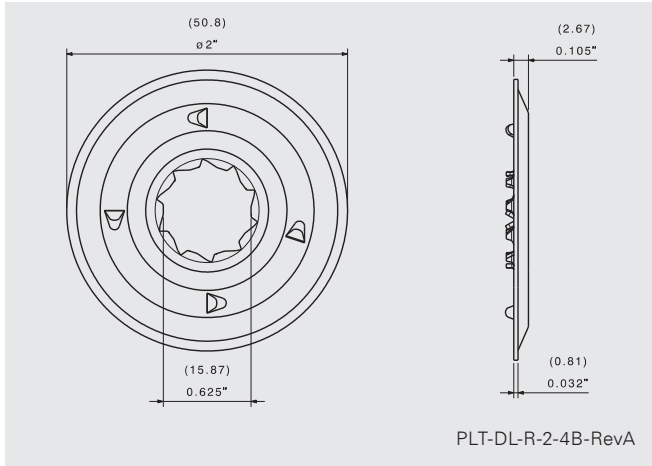
Membrane seam plate for use with Deklite™ auger for lightweight roof decks: lightweight concrete, Tectum and gypsum

Features and Benefits

- Plate designed to lock into Deklite™ auger upon installation
- Barb design creates maximum wind uplift rating
- 22 ga. Galvalume® steel

Product Selection

Material No.	Item	Description	Carton Wt. (lbs.)	Carton Qty.
792743	2" Round Deklite™ Seam Plate	PLT-DL-R-2-4B-B	18	500



Specifications

OD: 2" (51 mm) Round
 Width: 0.032" (0.81 mm)
 Finish: AZ55 Galvalume®

Approvals



State of Florida: FL20311

16-0712.08

Installation and Application Considerations

Use in applications approved by the roofing system manufacturer. Use with Deklite™ auger.

Metric values are approximate conversions.

Galvalume® is a registered trademark of BIEC International, Inc.

The details stated are results of tests and/or calculations and therefore are non-binding and do not represent warranties or warranted characteristics for not specified applications. All calculations therefore have to be checked and approved by the responsible planner ahead of execution. The user is responsible to assure compliance with all applicable laws and regulations.



2-3/8" Round Barbed Stress Plate **DEKFAST™ PLT-R-2-3/8-6B**



Application

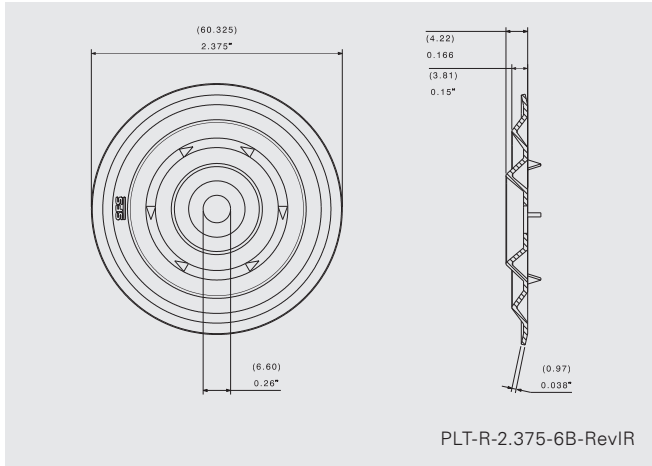
Membrane attachment to steel and wood roof decks

Features and Benefits

- Engineered barb design provides maximum wind uplift rating
- 20 ga. Galvalume® steel

Product Selection

Material No.	Item	Description	Carton Wt. (lbs.)	Carton Qty.
982326	2-3/8" Round Barbed Membrane Plate	PLT-R-2-3/8-6B-B	36	1,000



Specifications

OD: 2-3/8" (60 mm) Round
 Thickness: 0.038" (1 mm)
 Finish: AZ50 Galvalume®

Approvals



State of Florida: FL20311

16-0712.08

Installation and Application Considerations

Use in applications approved by the roofing system manufacturer. Use with:

- #14 Dekfast
- #15 Dekfast
- 1/4" Dekfast Spike
- TPR

Metric values are approximate conversions.

Galvalume® is a registered trademark of BIEC International, Inc.

The details stated are results of tests and/or calculations and therefore are non-binding and do not represent guaranties or warranted characteristics for not specified applications. All calculations therefore have to be checked and approved by the responsible planner ahead of execution. The user is responsible to assure compliance with all applicable laws and regulations.

US
 T 800 234 4533
 www.sfsintecusa.com

Canada
 T 866 847 5400
 www.sfsintec.ca



2-7/8" Hex Stress Plate

DEKFAST™ PLT-H-2-7/8



Application

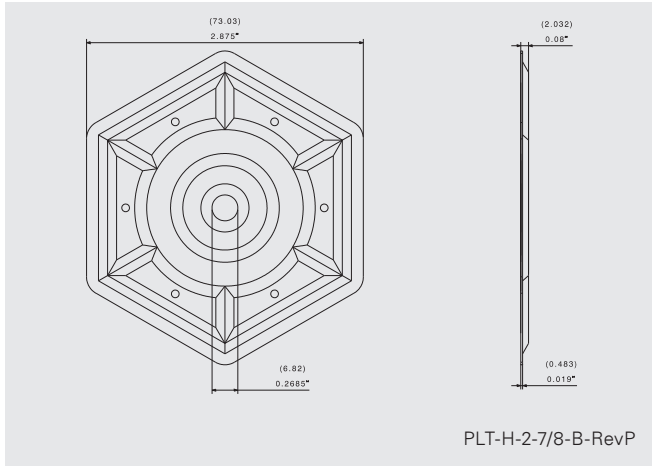
Insulation and cover board attachment to steel and wood roof decks

Features and Benefits

- Flat bottom provides for use on rigid board surfaces
- Stacked for ease of use
- 26 ga. Galvalume® steel

Product Selection

Material No.	Item	Description	Carton Wt. (lbs.)	Carton Qty.
730612	2-7/8" Hex Insulation Plate	PLT-H-2-7/8-B	38	1,000



Specifications

OD: 2-7/8" (73 mm) Hex
 Thickness: 0.019" (0.48 mm)
 Finish: AZ50 Galvalume®

Approvals



State of Florida: FL20311

16-0712.08

Installation and Application Considerations

Use in applications approved by the roofing system manufacturer. Use with:

- #12 Dekfast
- #14 Dekfast
- #15 Dekfast
- 1/4" Dekspike
- TPR

Metric values are approximate conversions.

Galvalume® is a registered trademark of BIEC International, Inc.

The details stated are results of tests and/or calculations and therefore are non-binding and do not represent warranties or warranted characteristics for not specified applications. All calculations therefore have to be checked and approved by the responsible planner ahead of execution. The user is responsible to assure compliance with all applicable laws and regulations.

US
 T 800 234 4533
 www.sfsintecusa.com

Canada
 T 866 847 5400
 www.sfsintec.ca



3" Round Stress Plate **DEKFAST™ PLT-R-3**



Application

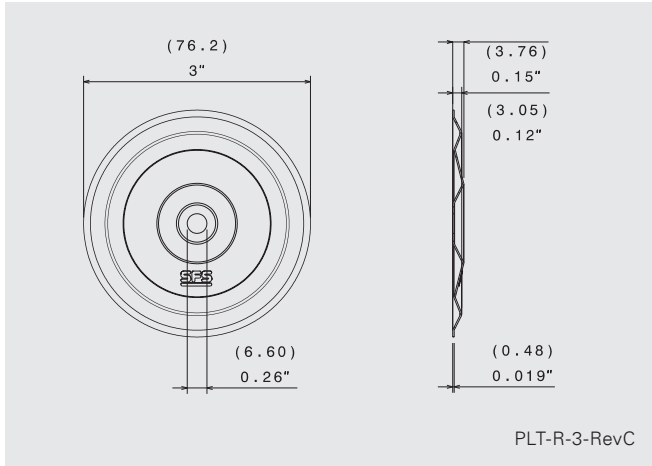
Insulation and cover board attachment to steel and wood roof decks

Features and Benefits

- Flat bottom provides for use on rigid board surfaces
- Available pre-assembled to Dekfast #12 Phillips and Hex head fasteners
- 26 ga. Galvalume® steel

Product Selection

Material No.	Item	Description	Carton Wt. (lbs.)	Carton Qty.
739814	3" Round Insulation Plate	PLT-R-3-B	41	1,000



Specifications

OD: 3" (76 mm)
 Thickness: 0.019" (0.48 mm)
 Finish: AZ50 Galvalume®

Approvals



State of Florida: FL20311

Installation and Application Considerations

Use in applications approved by the roofing system manufacturer. Use with:

- #12 Dekfast
- #14 Dekfast
- #15 Dekfast
- 1/4" Dekspike
- TPR

Metric values are approximate conversions.

Galvalume® is a registered trademark of BIEC International, Inc.

The details stated are results of tests and/or calculations and therefore are non-binding and do not represent warranties or warranted characteristics for not specified applications. All calculations therefore have to be checked and approved by the responsible planner ahead of execution. The user is responsible to assure compliance with all applicable laws and regulations.

US
 T 800 234 4533
 www.sfsintecusa.com

Canada
 T 866 847 5400
 www.sfsintec.ca



3" Round Plastic Lock Stress Plate Dekflat PLT-P-R-3



Application

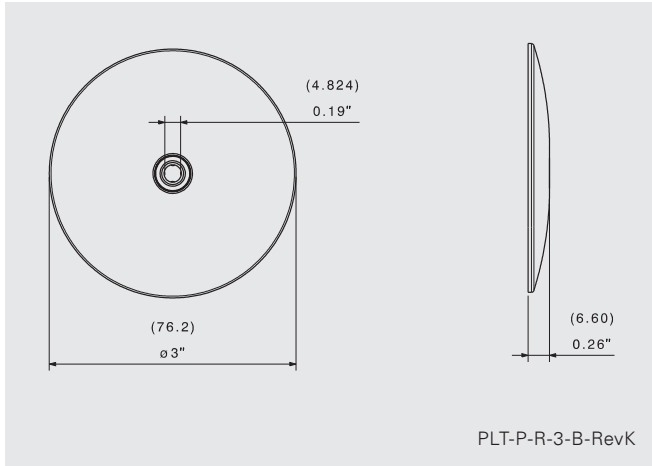
Insulation and cover board attachment to steel and wood roof decks

Features and Benefits

- Flat bottom ideal for use on rigid board surfaces as well as standard insulation boards
- Polypropylene Impact Copolymer for ultimate strength

Product Selection

Material No.	Item	Description	Carton Wt. (lbs.)	Carton Qty.
792622	3" Round Plastic Lock Plate	PLT-P-R-3-B	22	1,000



Specifications

OD: 3" Round
 Thickness: 0.26" (6.60 mm)
 Material: Polypropylene
 Color: White

Approvals



State of Florida: FL20311

16-0712.08

Installation and Application Considerations

Use in applications approved by the roofing system manufacturer. Use with:

- #12 Dekfast
- #14 Dekfast
- #15 Dekfast

US
 T 800 234 4533
 www.sfsintecusa.com

Canada
 T 866 847 5400
 www.sfsintec.ca

Metric values are approximate conversions.

The details stated are results of tests and/or calculations and therefore are non-binding and do not represent guaranties or warranted characteristics for not specified applications. All calculations therefore have to be checked and approved by the responsible planner ahead of execution. The user is responsible to assure compliance with all applicable laws and regulations.

3" Round Stress Plate Deklite™ PLT-DL-R-3-4B



Application

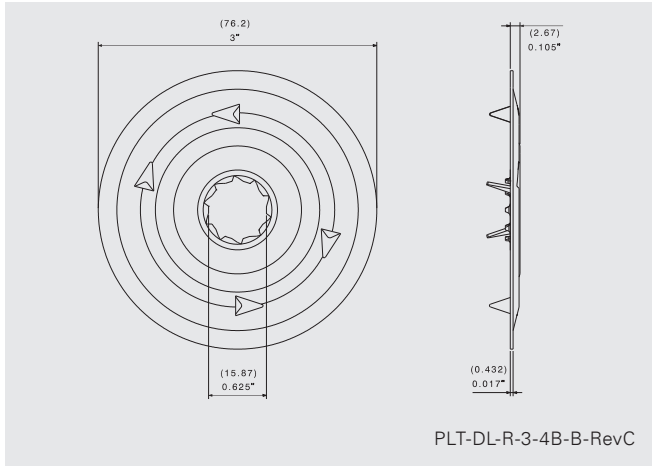
Insulation plate for use with Deklite™ auger for lightweight roof decks: lightweight concrete, Tectum and gypsum

Features and Benefits

- Plate designed to lock into Deklite™ auger upon installation
- Barb design creates maximum wind uplift rating
- 26 ga. Galvalume® steel

Product Selection

Material No.	Item	Description	Carton Wt. (lbs.)	Carton Qty.
792745	3" Round Deklite™ Insulation Plate	PLT-DL-R-3-4B-B	18	500



Specifications

OD: 3" (76 mm) Round
 Width: 0.017" (0.43 mm)
 Finish: AZ55 Galvalume®

Approvals



State of Florida: FL20311

16-0712.08

Installation and Application Considerations

Use in applications approved by the roofing system manufacturer. Use with Deklite™ auger.

Metric values are approximate conversions.

Galvalume® is a registered trademark of BIEC International, Inc.

The details stated are results of tests and/or calculations and therefore are non-binding and do not represent warranties or warranted characteristics for not specified applications. All calculations therefore have to be checked and approved by the responsible planner ahead of execution. The user is responsible to assure compliance with all applicable laws and regulations.



isoweld[®] Stress Plates for induction welding attachment



Application

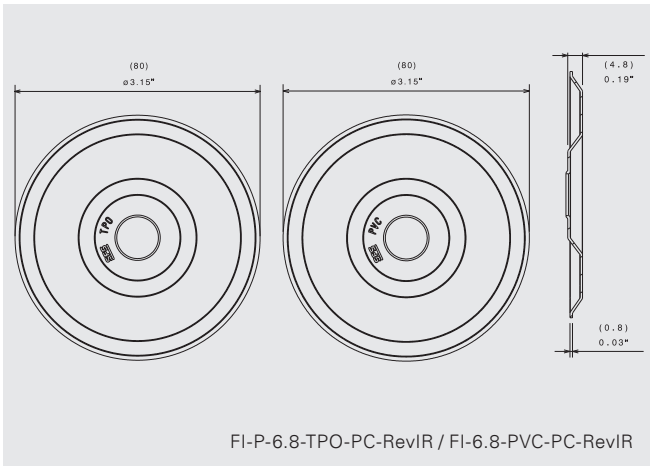
TPO and PVC/KEE/TPA membrane attachment using isoweld[®] induction welding tools

Features and Benefits

- Proprietary adhesive for secure weld
- Stacked for ease of use
- 22 ga. G90 Galvanized steel

Product Selection

Material No.	Item	Description	Carton Wt. (lbs.)	Carton Qty.
1555270	isoweld [®] PVC plate	FI-P-6,8-PVC-PC	34	500
1555269	isoweld [®] TPO plate	FI-P-6,8-TPO-PC	34	500



Specifications

OD: 3.15" (80 mm) Round
 Material: G90 Steel with proprietary adhesive coating
 Back of plate: Gray polyester coating
 Color (front of plate): TPO – Yellow
 PVC/KEE/TPA – Purple

Approvals



State of Florida: FL20311

16-0712.08

Installation and Application Considerations

Use with isoweld[®] induction welding tools and applications approved by the roofing system manufacturer. Use with:

- #15 Dekfast
- #12 Purlin
- TPR-L Peel Rivet

Contact SFS for special application use with #12 or #14 Dekfast

Metric values are approximate conversions.

The details stated are results of tests and/or calculations and therefore are non-binding and do not represent warranties or warranted characteristics for not specified applications. All calculations therefore have to be checked and approved by the responsible planner ahead of execution. The user is responsible to assure compliance with all applicable laws and regulations.

US
 T 800 234 4533
 www.sfsintecusa.com

Canada
 T 866 847 5400
 www.sfsintec.ca

Oval Barbed Stress Plate

DEKFAST™ PLT-O2-3/4-12B



Application

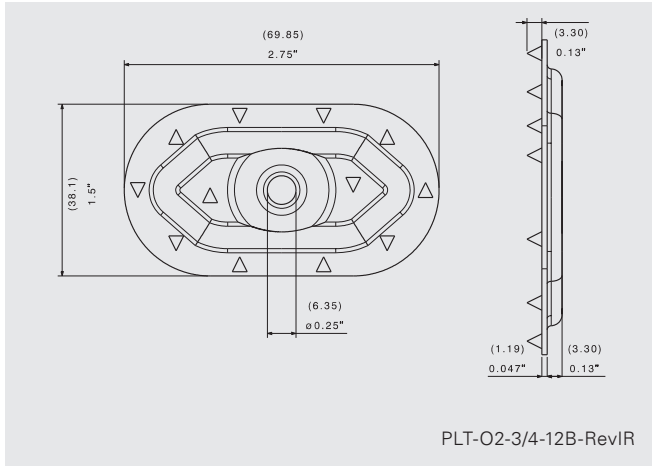
PVC membrane attachment to steel and wood roof decks

Features and Benefits

- Engineered barb design provides maximum wind uplift rating
- 18 ga. Galvalume® steel

Product Selection

Material No.	Item	Description	Carton Wt. (lbs.)	Carton Qty.
1274909	1-1/2 x 2-3/4 Oval Barbed Membrane Plate	PLT-O2-3/4-12B-B	12	500



Specifications

OD:	2.750" (70 mm)
Width:	1.500" (38 mm)
Thickness:	0.047" (1.19 mm)
Finish:	AZ50 Galvalume®

Approvals



State of Florida: FL20311

16-0712.08

Installation and Application Considerations

Use in applications approved by the roofing system manufacturer. Use with:

- #14 Dekfast
- #15 Dekfast
- #12 Purlin

Metric values are approximate conversions.

Galvalume® is a registered trademark of BIEC International, Inc.

The details stated are results of tests and/or calculations and therefore are non-binding and do not represent guaranties or warranted characteristics for not specified applications. All calculations therefore have to be checked and approved by the responsible planner ahead of execution. The user is responsible to assure compliance with all applicable laws and regulations.